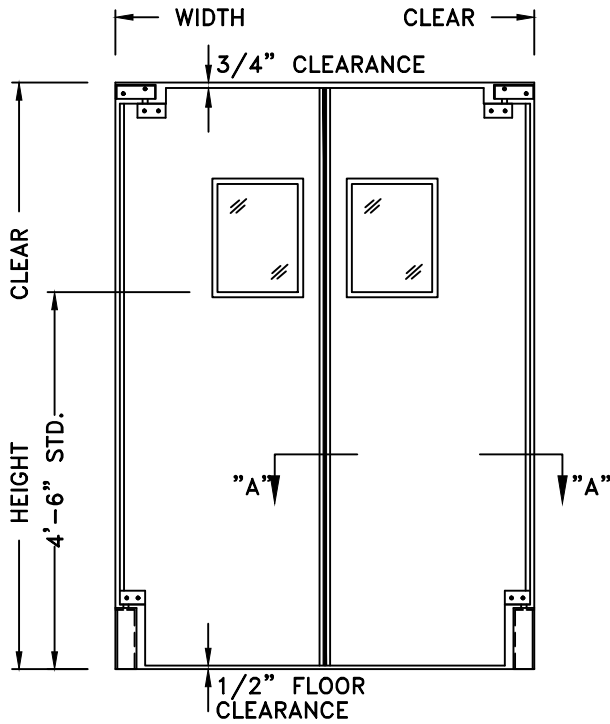
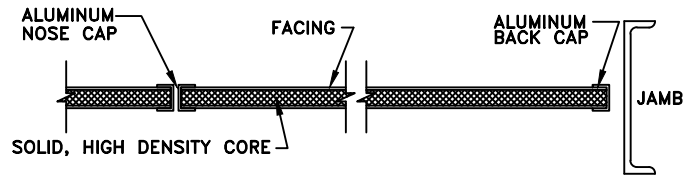


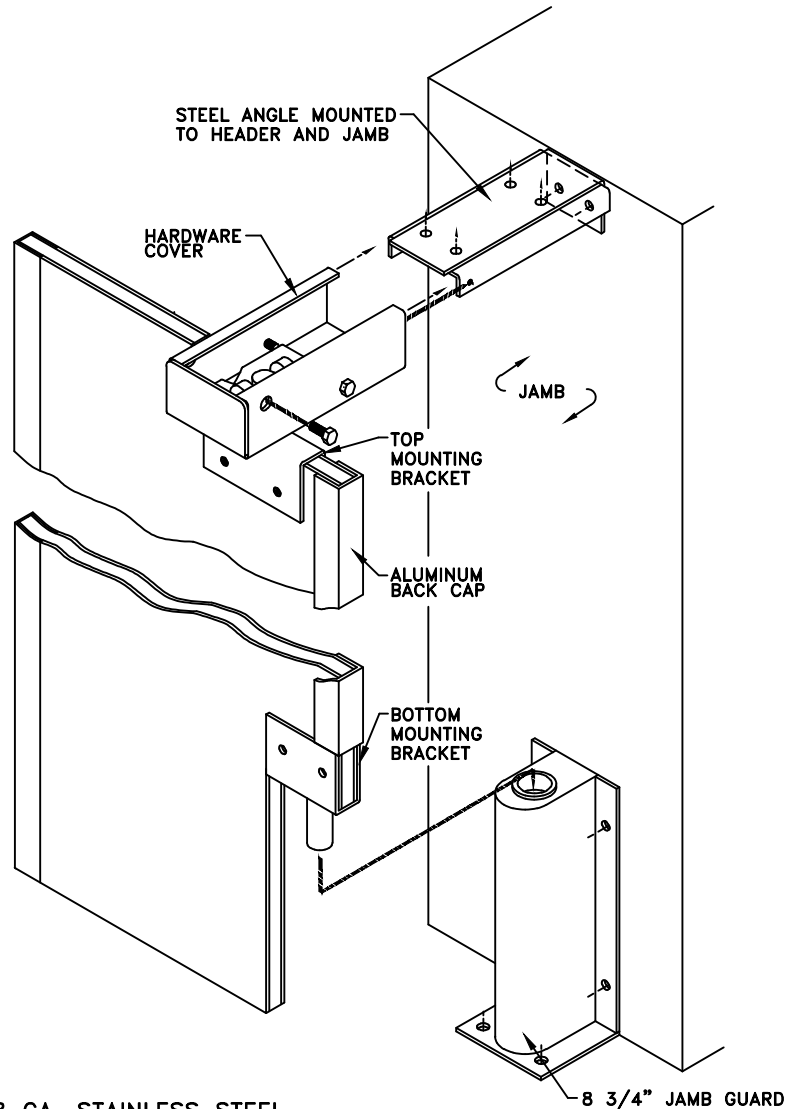
NUMBER OF PAIRS: _____



ELEVATION OF DOORS



SECTION "AA"



MOUNTING DETAIL
EZ HINGE HARDWARE
 DOOR ROTATED FOR CLARITY

NO PERIMETER SEALS

STANDARD FEATURES

- 3/4" OVERALL THICKNESS, WITH A SELECTION OF FACING MATERIALS
- 11 1/2" X 15 1/2" STANDARD VISION PANEL EACH LEAF
- STAINLESS STEEL EZ HINGE HARDWARE
- STAINLESS STEEL 8-3/4 X 3 JAMB GUARD
- FACING
 - [] ABS (STANDARD) [] LAMINATE
 - [] ALUMINUM [] STAINLESS STEEL

OPTIONS

- [] TEAR-DROP BUMPER (MOLDED POLYETHYLENE)
 HEIGHT: 12"[] 24"[] 36"[] 48"[]
 WIDTH: 24"[] 42"[]
- [] IMPACT PANELS - UP TO 48" HIGH: [] ABS [] 18 GA. STAINLESS STEEL

WINDOWS (DUAL PANE):

- [] 7 1/2" x 10 1/2"
- [] 11 1/2" X 15 1/2" (STANDARD)
- [] 16" X 18"

- [] "C" FRAME (WASH DOWN APPLICATIONS) - 1/4" SINGLE PANE