



MaxSlide® Mounting System Installation Instructions

Diagram 1
Mount Bracket

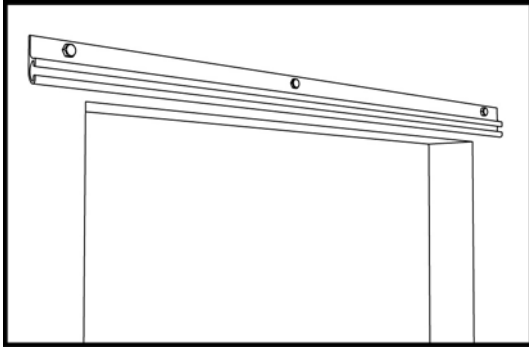


Diagram 2
Install Plug & Bullets

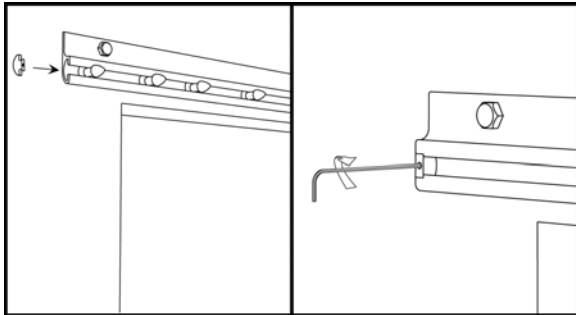
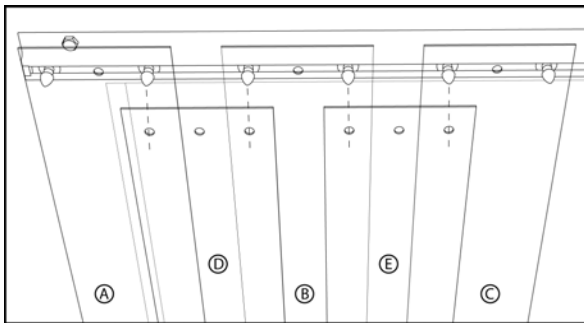


Diagram 3
Attach Strips



TOOLS NEEDED

- Pen or Pencil to Mark Holes
 - Crescent Wrench
 - Step Stool or Ladder
 - Utility Knife to Cut Strips
-

1. Mount pre-drilled Walk-In Mount to wall above door using the three lag screws provided (Diagram 1).
2. Next, slide number of bullets required down the slot of aluminum mounting hardware. Then place the remaining plastic plug in the open end of the hardware and tighten with provided allen wrench (Diagram 2).
3. Starting at the left, place the first clear inside strip (A) on the first two bullets keeping in mind the concave pattern in Diagram 4 below. Place the second inside strip (B) on the third and fourth bullets and continue down the entire length accordingly (Diagram 3).
4. Again starting at the left and using the concave pattern, place the first outside strip (D) on the second and third bullets. The next outside strip will fit on the fourth and fifth bullets. Continue this down the entire length accordingly (Diagram 3).
5. The first strip on the left and the right is to be flush with the edge of the aluminum hardware. Make sure all strips are flat and smooth.
6. The strips should be initially trimmed to give a minimum of 1/4" clearance using a utility knife. **The door strips need to hang for 24 to 48 hours before the final trim to allow for proper alignment.**

Diagram 4

