

ALECO

www.aleco.com
Phone: (800) 633 - 3120
Fax: (800) 750 - 9616
2720 E. Avalon Ave. Muscle Shoals
AL, 35661

170-320A DATE: 06-01-2001
DRAWN BY: MLW REVISED: 01-25-2010

PREPARATION

START BY CHECKING THE CONTENTS OF THE PACKAGE TO BE SURE ALL PARTS WERE INCLUDED IN SHIPPING. IF ANYTHING IS DAMAGED OR MISSING, CONTACT THE FACTORY IMMEDIATELY.

MEASURE THE FINISHED OPENING AND COMPARE WITH THE ORDER MEASUREMENTS ON THE SHIPPING CRATE.**

INSPECT THE DOOR JAMB TO VERIFY THAT IT IS PLUMB, SQUARE AND SECURE.

DOOR JAMBS MUST BE A MINIMUM 3" DEEP X 3-1/2" WIDE, WITH NO GAPS, BEFORE BEGINNING INSTALLATION (SEE FIGURE "2-A").

NOTE: STEEL-LITE DOORS MUST BE INSTALLED PLUMB FOR PROPER OPERATION.

**IF THE FRAMED OPENING DOES NOT MEET THE ORDER DIMENSIONS CALL THE FACTORY AT 1-800-543-4455

DRILL BIT SIZES

FOR: (3) (4)

FOR 5/16" X 3" LAG SCREWS
USE: 1/4" DRILL BIT.

FOR 5/16"-18 HEXHEAD THREAD CUTTING
USE: 9/32" DRILL BIT.

FOR CONCRETE ANCHORS
USE: 3/8" MASONRY DRILL BIT.

FASTENERS

FOR: (4) QTY. 6

FOR STEEL JAMB
USE: 5/16"-18 HEXHEAD THREAD CUTTING.
FOR WOOD JAMBS
USE: 5/16 X 3" LAG SCREW.

FOR: (3) (JAMB) QTY. 2/4

FOR STEEL JAMB
USE: 5/16"-18 HEXHEAD THREAD CUTTING.
FOR WOOD JAMBS
USE: 5/16 X 3" LAG SCREW.

FOR: (3) (FLOOR) QTY. 2

FOR CONCRETE FLOOR
USE: 3/8" CONCRETE ANCHOR.

STEEL-LITE INSTALLATION INSTRUCTIONS

PAGE 1

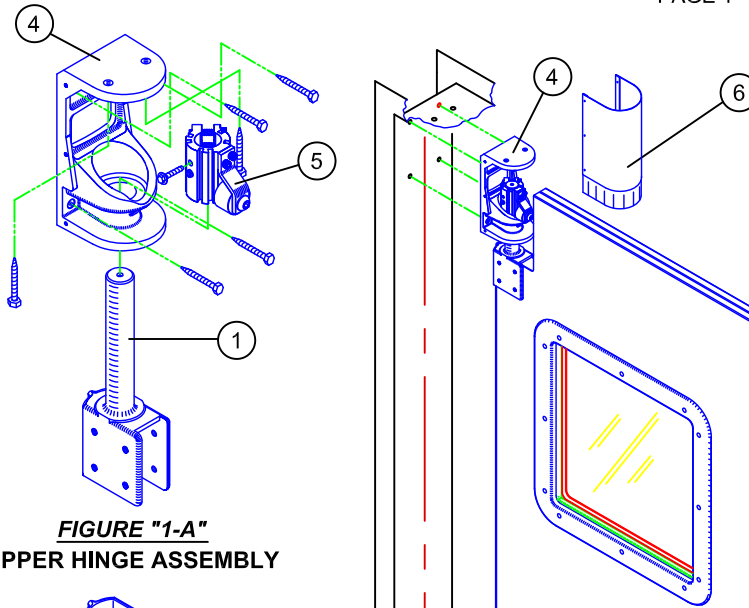


FIGURE "1-A"
UPPER HINGE ASSEMBLY

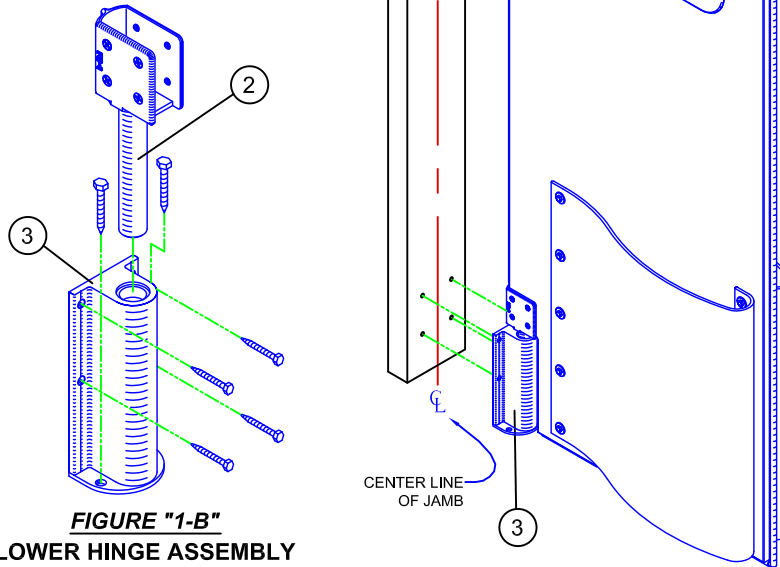


FIGURE "1-B"
LOWER HINGE ASSEMBLY

THE USE OF SAFETY GLASSES AS EYE PROTECTION IS STRONGLY RECOMMENDED WHEN USING POWER TOOLS.

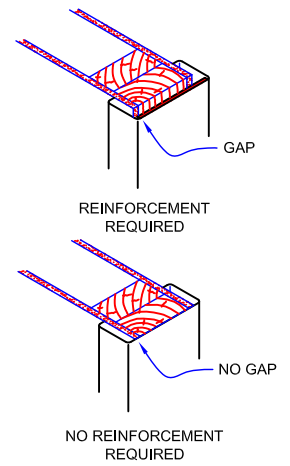


FIGURE "2-A"

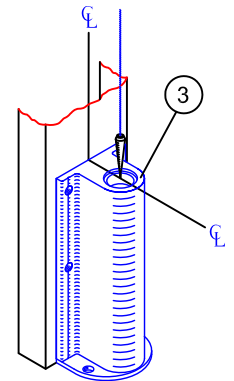


FIGURE "2-B"

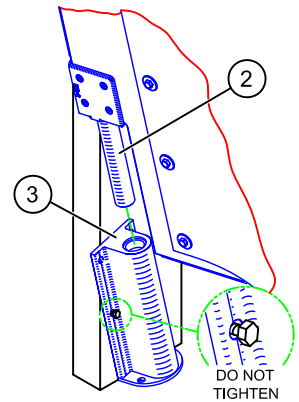


FIGURE "2-C"

STEP 1. MARKING AND DRILLING JAMB FOR HARDWARE.

NOTE: PROCEED ONLY AFTER COMPLETING THE "PREPARATION" SECTION AT LEFT.

ESTABLISH THE CENTERLINE OF JAMB AND HEADER. PLACE HINGE (4) ON THE INSIDE OF JAMB WITH THE TOP CORNER TOUCHING THE HEADER AND JAMB. LINE UP CENTER OF HINGE (4) WITH CENTERLINE OF JAMB AND HEADER. MARK THE SIX HOLES IN THE HINGE (4) ONTO THE JAMB AND HEADER. REMOVE HINGE (4).

PLACE JAMB GUARD (3) IN THE LOWER CORNER OF THE SAME JAMB.

DROP A PLUMB BOB FROM CENTERLINE OF HEADER AND JAMB TO THE JAMB GUARD (3) (SEE FIGURE 2-B).

AFTER ALIGNING THE CENTERS OF THE HINGE AND JAMB GUARD, MARK THE HOLES IN THE JAMB GUARD AND DRILL ACCORDING TO THE "DRILL BIT SIZES" SECTION AT LEFT.

STEP 2. ATTACHING HARDWARE.

ATTACH JAMB GUARD (3) TO JAMB (WITH BASE TOWARD THE FLOOR) USING SINGLE FASTENER. LEAVE FASTENER APPROX. 1/4" FROM BEING TIGHT, **DO NOT TIGHTEN AT THIS TIME** (SEE FIGURE "2-C").

TILT THE JAMB GUARD (3) TO APPROXIMATELY A 30° ANGLE. THIS WILL ALLOW YOU TO INSERT THE LOWER HINGE SHAFT (2) INTO THE JAMB GUARD (3) WITHOUT INTERFERENCE FROM THE HEADER (SEE FIGURE "2-C"). LIFT THE DOOR AND SLIDE THE LOWER HINGE SHAFT (2) INTO THE JAMB GUARD (3) (SEE FIGURE "2-C").

PLACE HINGE (4) OVER UPPER HINGE SHAFT (1), THEN PLACE BEARING CLAMP (5) OVER THE SAME HINGE SHAFT (1), **DO NOT TIGHTEN AT THIS TIME**, (SEE FIGURE "1-A").

STAND DOOR UPRIGHT IN JAMB. LINE UP THE CENTER OF HINGE (4) WITH THE CENTER OF JAMB, HEADER AND JAMB GUARD (3).

INSERT THE REMAINING FASTENERS INTO THE HINGE (4) AND JAMB GUARD (3) THEN TIGHTEN.

STEP 3. HANGING DOOR.

PLACE THE SUPPLIED WOOD BLOCK (7) UNDER THE DOOR AND ON TOP OF THE JAMB GUARD AS A TEMPORARY SHIM, (SEE FIGURE "3-A" [PAGE 2]).

NOTE: THE TOP OF THE BEARING CLAMP (5) SHOULD NOT BE ABOVE THE TOP OF THE UPPER HINGE SHAFT (1). IF IT IS YOU MUST ADJUST THE DOOR UP WITH ADDITIONAL SHIMS BEFORE SECURING.

SEAT THE BEARING CLAMP (4) ON THE UPPER HINGE SHAFT (1) WITH THE BEARING AT THE LOWEST POSSIBLE POINT ON THE BEARING RACE, (SEE FIGURE "3-B" [PAGE 2]).

IMPORTANT: LINE UP THE CENTERLINE OF THE DOOR WITH THE CENTERLINE OF THE JAMB HEADER (SEE FIGURE "4-A" [PAGE 2]).

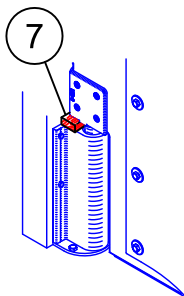


FIGURE "3-A"

STEP 4. SWING ADJUSTMENT.

AFTER LINING UP THE CENTERLINE OF THE DOOR WITH THE CENTERLINE OF THE JAMB AND HEADER, ALTERNATING FROM ONE CAP SCREW TO THE OTHER, TIGHTEN THE TWO SOCKET HEAD CAP SCREWS IN THE BEARING CLAMP (5) AS TIGHT AS POSSIBLE USING THE SUPPLIED 3/16" ALLEN WRENCH (SEE FIGURE "5-A").

IMPORTANT: MAKE ALL ADJUSTMENTS AND TEST DOOR FOR PROPER SWING BEFORE CONTINUING TO NEXT STEP!

AFTER MAKING ALL ADJUSTMENTS AND TESTING FOR PROPER SWING, TIGHTEN THE SET SCREWS LOCATED AT EACH SIDE OF THE BEARING (SEE FIGURE "5-A").

LOCATE THE 1/4" HOLE JUST ABOVE ONE OF THE SET SCREWS ON THE BEARING CLAMP (5). USING A 7/32" DRILL BIT, DRILL A 3/4" DEEP HOLE INTO THE HINGE SHAFT THROUGH THE 1/4" HOLE.

USING A 3/8" BOX END OR SOCKET AND RACHET, ATTACH AND TIGHTEN THE SHAFT SECURING BOLT (SEE FIGURE "5-A"). THE DOOR IS NOW PERMANENTLY SET IN THE ADJUSTED POSITION.

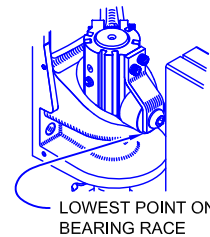


FIGURE "3-B"

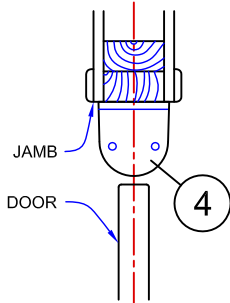


FIGURE "4-A"

STEP 5. FINISH WORK.

BEFORE INSTALLING THE HINGE COVER (6), LUBRICATE HINGE SHAFTS AT TOP AND BOTTOM WITH SILICONE SPRAY OR SIMILAR LIGHT WEIGHT OIL (SEE "CARE AND MAINTENANCE" SECTION BELOW).

ATTACH THE HINGE COVER (6) USING THE SUPPLIED 1/2" STAINLESS MACHINE SCREWS (SEE FIGURE "6-A").

INSTALL THE HEADER GASKET ALONG THE CENTERLINE OF THE DOOR JAMB HEADER USING THE SUPPLIED 1" SHEET METAL SCREWS (SEE FIGURE "6-B").

REMOVE THE PROTECTIVE COATINGS FROM THE WINDOWS AND OTHER PROTECTED SURFACES. THEN CLEAN THE ENTIRE DOOR AND JAMB FOR A NEW APPEARANCE.

IF THE GAP BETWEEN THE TOP OF THE DOOR AND THE HEADER IS LESS THAN 2", TRIMMING OF THE HEADER GASKET IS NECESSARY. THE GASKET SHOULD JUST TOUCH THE TOP OF THE DOOR PANEL.

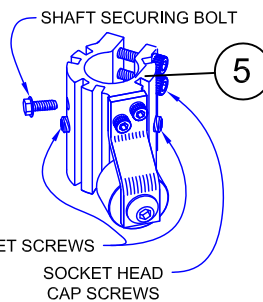


FIGURE "5-A"

CARE AND MAINTENANCE

WASH DOOR(S) WITH MILD DETERGENTS AND WATER. **DO NOT USE** ACETONES, CHLORINATED SOLVENTS, OR OTHER CHEMICALS OF THIS TYPE.

LUBRICATE UPPER AND LOWER HINGE SHAFTS AND CAM ROLLER AREA EVERY 90 DAYS WITH SILICONE SPRAY, OR SIMILAR LIGHTWEIGHT OIL.

TROUBLE SHOOTING GUIDE

<u>PROBLEM</u>	<u>CHECK POINT NUMBERS</u>	<u>POSSIBLE SOLUTION</u>
DOOR WILL NOT CLOSE AT ALL	1, 2, 3, 8	STEP 2
DOOR IS NOT RETURNING TO CENTER	2, 3, 4, 5, 8	STEP 3
DOOR WILL NOT OPEN COMPLETELY	6, 7	STEP 3
DOOR CLOSES EXTREMELY SLOW	1, 8	STEP 2
<u>CHECK POINT NUMBERS</u>	<u>POSSIBLE CAUSES</u>	<u>REFER TO INSTRUCTIONS</u>
1)	HINGES NOT INSTALLED PLUMB	STEP 2
2)	BEARING CLAMP NOT TIGHTENED PROPERLY	STEP 3
3)	BEARING CLAMP NOT SEATED ON LOWEST POINT OF BEARING RACE	STEP 3
4)	DOOR INSTALLED TOO LOW AND STOPS ON FLOOR	STEP 3
5)	BEARING CLAMP AND DOOR NOT ALIGNED WITH CENTER OF JAMB	STEP 3
6)	DOOR INSTALLED TOO HIGH AND TOP EDGE HITS JAMB HEADER	STEP 3
7)	HINGE INSTALLED TOO LOW AND TOP OF HINGE SHAFT HITS INSIDE TOP OF CASTING	STEP 2
8)	AIR FLOW AFFECTS CLOSING. SPRING ASSIST OPTION MAY BE NEEDED	

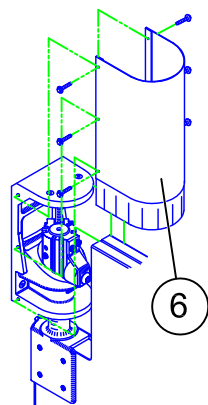


FIGURE "6-A"

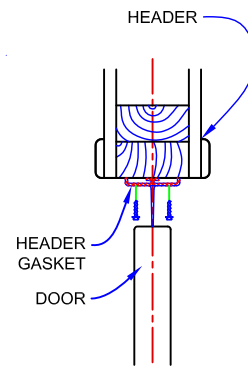


FIGURE "6-B"