

- PARTS INCLUDED:**
- Door Panel(s)
 - Hinge(s)
 - Barrel Nuts
 - Truss Head Screws

- TOOLS NEEDED:**
- Marker to Mark Holes
 - Drill
 - Screwdriver
 - Step Stool or Ladder
 - Tape Measure
 - Utility Knife

STEP 1

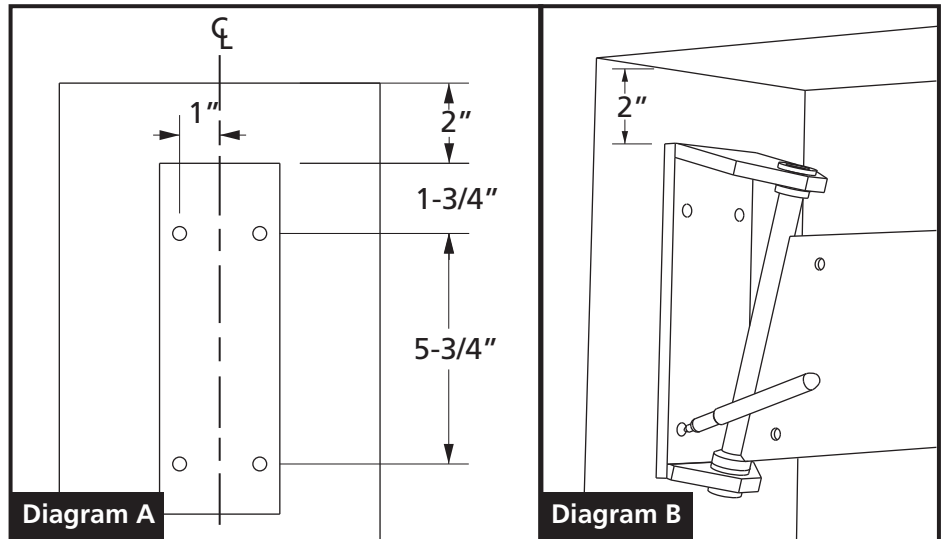
Mark holes for attaching hinge bracket to door jamb. Use the dimensions given in **Diagram A** or use the hinge bracket as a template as shown in **Diagram B**. For the gravity hinge to work properly it **MUST** be centered, plumb, and squared in the jamb. The top of the hinge bracket should be mounted at least 2" from the top of the door jamb.

NOTE: Shims may be required to ensure hinge is mounted plumb and square.

STEP 2

Drill holes and attach hinge bracket using appropriate fasteners for the application.

NOTE: The hinge may also be welded to the door frame if desired.



STEP 3

Once the hinge is mounted properly, the door panel can be mounted. Have one person hold the panel up to the hinge plate while the other mounts the panel using the supplied barrel nuts and truss head screws. Hold the black flap back while attaching the hinge plate to the door panel as shown in **Diagram C**. Tighten all screws and repeat for other door panel if necessary.

STEP 4

After completing the installation, the door panels may be trimmed using a utility knife as needed.

